

Intelligent stencil storage Cabinet

Product Type: FUTUREATT-MSC230

Device Principle

This equipment system requires the operator to first store the steel mesh according to the system prompts. When storing the steel mesh, the operator should place it in the position indicated by the illuminated light. When retrieving materials, the operator follows the system prompts to locate the corresponding shelf. The light below the retrieval position will illuminate (with multiple colors available) to indicate which color the operator should retrieve. The operator then takes the materials.



Functional Features

- Suitable for 7-inch to 17-inch trays.
- The system can be integrated with any WMS, ERP, MES, or other systems.
- Quick retrieval based on light indicators, preventing mistakes and ensuring traceability of data throughout the process.
- Supports multiple operators for material retrieval.
- Simple operation, where one person can perform tasks equivalent to four people.

Applications

Used in electronic components, SMT factories, and line-side warehouses.

Workflow

- The operator first stores the materials according to the system prompts. When storing the materials, the steel mesh should be placed in the position indicated by the illuminated light.
- The system prompts successful material storage and proceeds to the next step. This process is repeated in a loop.
- When retrieving materials, the operator follows the system prompts to locate the corresponding shelf.
- The light below the retrieval position will illuminate (with multiple colors available) to indicate which color the operator should retrieve.



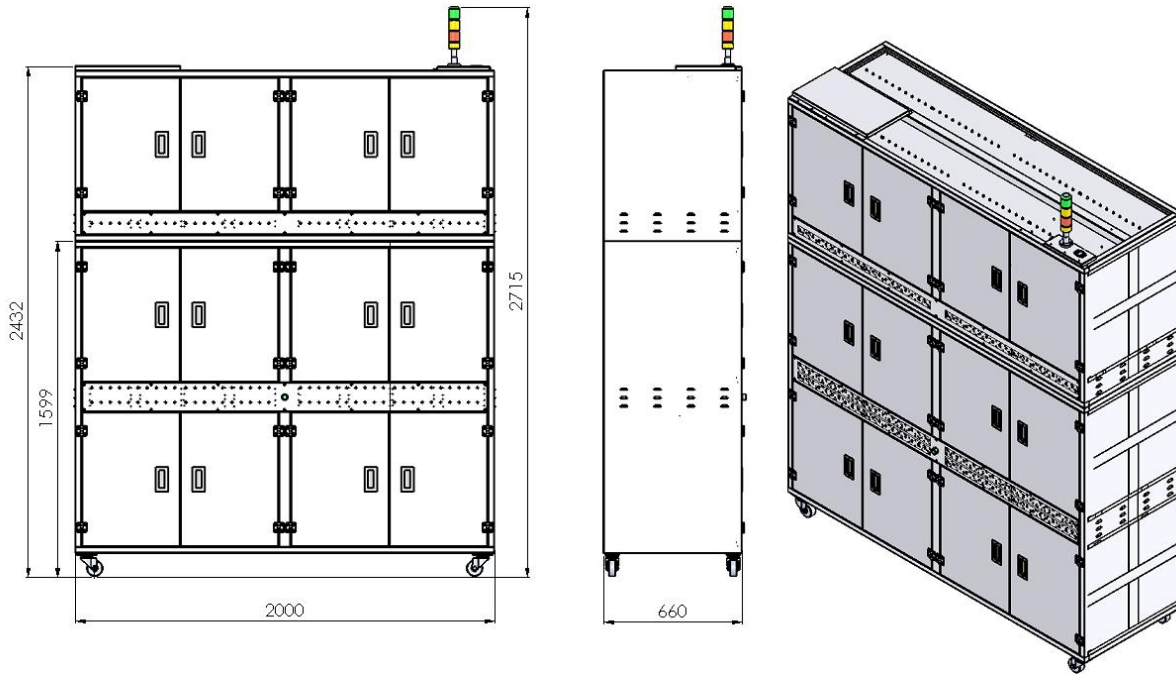
- The operator waits for the materials to be taken. The process is repeated in a loop.

Technical Specifications

	Equipment Model	Parameters
Basic Parameters	Power Supply Voltage	Single-phase, 220V (3A) (Customizable for overseas users based on local power supply voltage)
	Frequency	50HZ
	Dimensions (Length x Width x Height)	2000mm x 660mm x 2432mm (Height of two layers: 1600mm) (Excluding the height of the three-color lights)
	Steel Mesh Size	580mm x 580mm x 30mm (Customizable according to requirements)
	Number of Stored Steel Meshes	120 (80 pieces on each of the two layers)
	Number of Layers in the Steel Mesh Cabinet	2 layers (upper and lower)
	Door Opening Method	Hinged double doors
	Bottom Swivel Casters	Quantity \geq 4, with brakes; the load capacity of a single wheel is greater than the weight of the entire steel mesh cabinet when fully loaded
	Steel Mesh Limiting Slot	Circular steel on both sides + rear limiting block
	Center Distance of Steel Mesh	44mm between adjacent steel meshes when stored (facilitating retrieval and placement)
	Main Frame Material	Main frame plate with a thickness \geq 1.5mm
	Sheet Metal Cover Thickness	\geq 1mm
	Window Sheet Metal Thickness	\geq 1mm
	Sheet Metal Color	Surface treated with baked paint (Color code: RAL7035)
	Double Door Closure Fixation	Strong magnetic

	Sealing Method	Sealing strips added to all panels and frames, including sealing strips at contact points when the doors are closed
	Integration System	The system can be integrated with any WMS, EMP, MES, or other systems
	Equipment Appearance	Equipment color: RAL7035 for the columns on both sides, shelf color: Medium gray
Other	High-Voltage Part	The power supply is connected from above, with fuse protection and a power switch button to control the power Neat Wiring using plastic wire ducts
	Equipment Control Part	Includes the shelf control board and other components
	Shelf Control Board	Controls the three-color lights and shelf lighting And transfers data to the upper computer
	Electrical Control System	Implements control functions for various equipment mechanisms
	Software System	Uploads bin location information to WMS, ERP, and other customer systems and provides information on material retrieval and placement to the gateway
	Environmental Requirements	Operating temperature from -15° C to 40° C
	Safety Requirements	The equipment complies with relevant national safety standards for electromechanical devices and meets CCC standards.

*External Dimensions



*Equipment Safety Requirements

- 1、 Compliance with the current FUTUREATT standards or stricter local regulations. Specific requirements will be clarified during equipment design review.
- 2、 The appearance and structural methods of equipment protective devices need to be checked one by one during design review. Subsequent processing and installation should not cause mechanical interference, hinder maintenance, or pose safety concerns.

*Randomly Equipped Items

Item	Quantity	Remarks
Tool Bag	1 set	
Electric Screwdriver	1 piece	
Small Adjustable Wrench	1 piece	
Hex Key Set	1 set	

Micro Screwdriver Set	1 piece	
-----------------------	---------	--

*Other Optional Models

Steel Mesh Cabinet	Model	Type
Intelligent Steel Mesh Cabinet	FUTUREATT-MSC218	18mm slot width with 20mm slot spacing

Xiamen Future Att Technology Co., Ltd.

4008-592-568/0592-6283336

1-2/F, 1011-1 Guankou Middle Road, Jimei District, Xiamen